

# INSTRUCTION MANUAL

## Schools / TAFE RT-100 Sliding Router Table 785 x 560mm



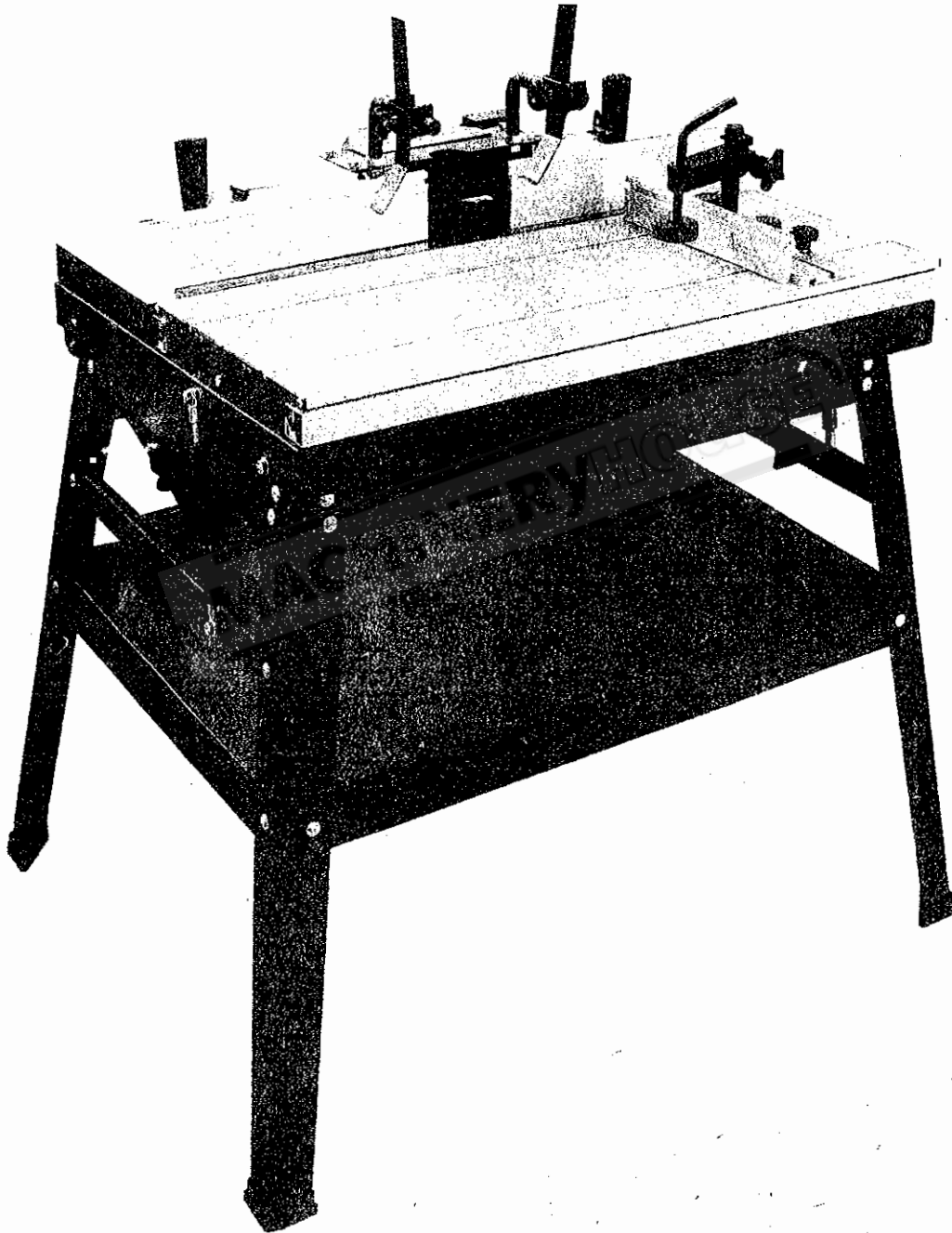
**K8140**

**W4485**

**28/3/06**

# **ROUTER TABLE**

## **INSTRUCTION MANUAL**



Read all instructions carefully before operation.

## GENERAL SAFETY RULES



**WARNING:** Do not attempt to operate the machine until you have read thoroughly and understood completely all instructions, rules, etc. contained in this manual. Failure to comply can result in accidents involving fire, electric shock, or serious personal injury. Keep this owner's manual and review frequently for continuous safe operation.

1. Know your machine. For your own safety, read the owner's manual carefully. Learn it's application and limitations, as well as specific potential hazards pertinent to this machine.
2. Make sure all tools are properly grounded. If the tool electrical plug has three prongs, it should be used in a three hole electrical socket. If a three prong or two prong adapter is used, the adapter plug must be properly grounded. Do not remove or disable the third plug.
3. Keep guards in place and in working order. If a guard must be removed for maintenance or cleaning, make sure it is properly reattached before using the machine again.
4. Remove adjusting keys and wrenches. From a habit of checking to see that the keys and adjusting wrenches are removed from the machine before turning it on.
5. Keep your work area clean. Cluttered areas and workbenches increase the chance of an accident.
6. Do not use in dangerous environments. Do not use power tools in damp or wet locations, or expose them to rain. Keep work areas well illuminated.
7. Keep children away. All visitors should be kept a safe distance from the work area.
8. Make workshop childproof. Use padlocks, master switches and remove starter keys.
9. Do not force the machine. It will do the job better and be safer at the rate for which it is designed.
10. Use the right tools. Do not force the machine or attachments to do a job for which they are not designed. Contact the manufacturer or distributor if there is any question about the machine's suitability for a particular job.

## GENERAL SAFETY RULES

11. Wear proper apparel. Avoid loose clothing, gloves, neckties, rings, bracelets, and jewelry which could get caught in moving parts. Non-slip footwear is recommended. Wear protective hair covering to contain long hair.
12. Always use safety glasses. Also use face or dust mask if operation is dusty. Everyday eyeglasses only have impact resistant lenses. They are not safety glasses.
13. Do not over-reach. Keep proper footing and balance at all times.
14. Maintain machine in top condition. Keep machine clean for best and safest performance. Follow instructions for lubrication and changing accessories.
15. Disconnect the machine from power source before servicing and when changing accessories or when mounting or remounting motor.
16. To avoid accidental starting, make sure the switch is in the OFF position before plugging in power cord.
17. Never leave the machine running and unattended. Turn the power off. Do not leave the machine until it comes to a complete stop.
18. Do not use any power tools while under the effects of drugs, alcohol or any medication.
19. Always wear a face or dust mask if operation creates a lot of saw dust and/or chips. Always operate the tool in a well ventilated area and provide for proper dust removal. Use

## ADDITIONAL RULES FOR ROUTER TABLE

1. Always hold the workpiece against the fence.
2. Never perform any "free hand" operation; Do not use your hands to support or guide the workpiece. Always use the toggle clamp to secure the workpiece for cutting.
3. Feed the workpiece to the router bit against the rotating direction.
4. Never draw the workpiece back during cutting. Stop the router bit before drawing back the workpiece.
5. Make sure the portable router has been installed securely before starting the machine.
6. Make sure the spindle rotates in the correct direction.
7. Make sure the router bit is locked securely before operating.

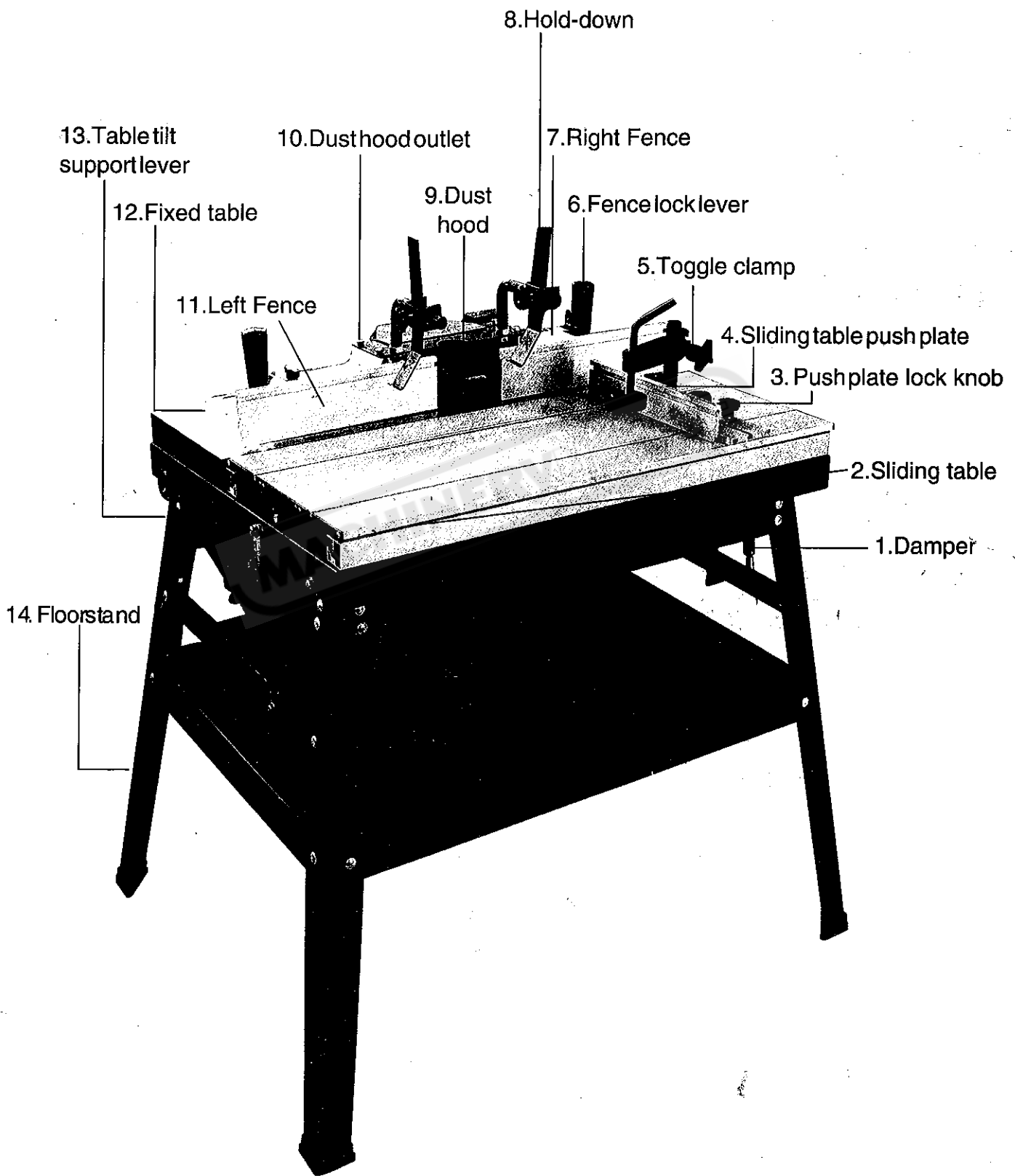
# SPECIFICATIONS

Suitable portable routers	3/4 HP-5HP
Main table surface	780 x 250mm
Sliding table surface	784 x 310mm
Table tilts	45°
Table inserts (Outside)	Ø100mm
(Inside)	60,29mm
Table height	(850mm)
Fence sizes (each side)	270 x 50mm
Dust hood outlet	2.5"
Net weight	56kgs
Gross weight	59kgs
Packing dimensions	88 x 65 x 21 cm

# FEATURES

- It accepts any brand of portable router from a 3/4HP to 5HP motor.
- The table can be tilted 45°.
- The aluminium table is precision ground.
- The sliding table is fitted with a toggle clamp for fast workpiece clamping.
- Precision aluminium fence.
- 2.5" diameter dust hood.
- An aluminium sliding table makes cutting easier.
- Hold-down is supplied as a standard accessory.

# LEGEND OF THE MACHINE



# UNPACKING AND CLEANING THE ROUTER STAND

1. The router stand is shipped in one carton.
2. Unpack the machine carefully.
3. Ensure that all loose items are present as listed in this manual. If any items are missing, please contact your local dealer immediately.
4. Remove the rust prevention oil thoroughly. Use a soft cloth moistened with kerosene to remove the oil.



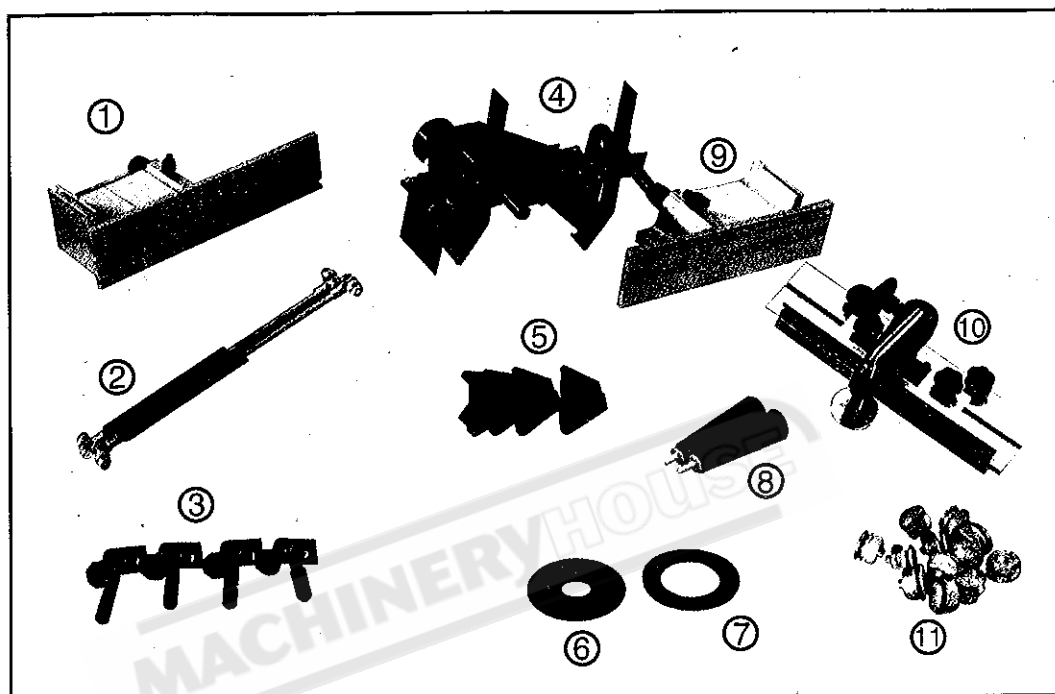
## **WARNING:**

Do not use gasoline or lacquer thinner to remove the rust prevention oil, as this will damage the painted surface.



## LOOSE PARTS BAG

After the machine has been unpacked, check that all loose parts show below are present.



1. Left fence assembly 1 set

2. Pamper

3. Router clamp 4 pcs

4. Dust hood 1 set

5. Rubber leg 4 pcs

6. 29 mm table insert

7. 60 mm table insert

8. Fence handle 2 pcs

9. Right fence assembly 1 set

10. pusher 1 set

11. Screw package for stand

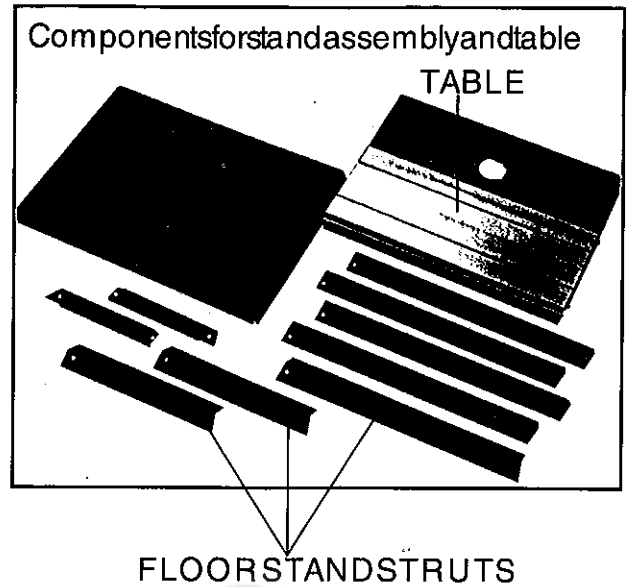
M8×12 screw 28 pcs

8 washer 28 pcs

M8 nut 28 pcs

## ASSEMBLING THE FLOOR STAND

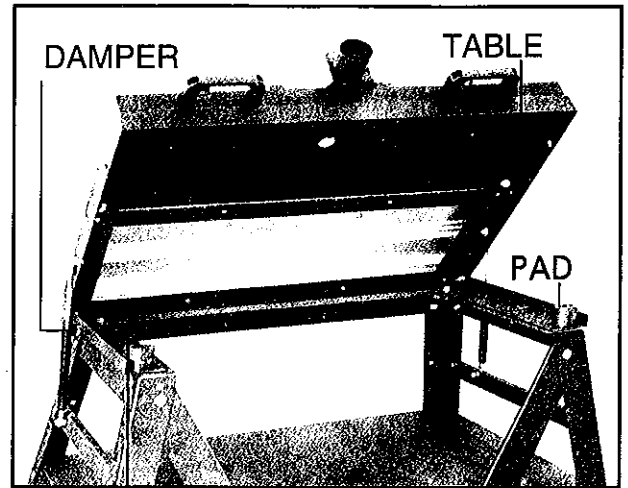
1. Assemble the front upper brace and two upper side braces.
2. Assemble the two reinforcing legs.
3. Assemble the lower plate to the four legs and reinforcing legs.
4. Tighten the braces and lower plate by using M8 screws.
5. Assemble the four pads under the four legs.



MACHINERYHOUSE

## ATTACH THE TABLE ONTO THE STAND

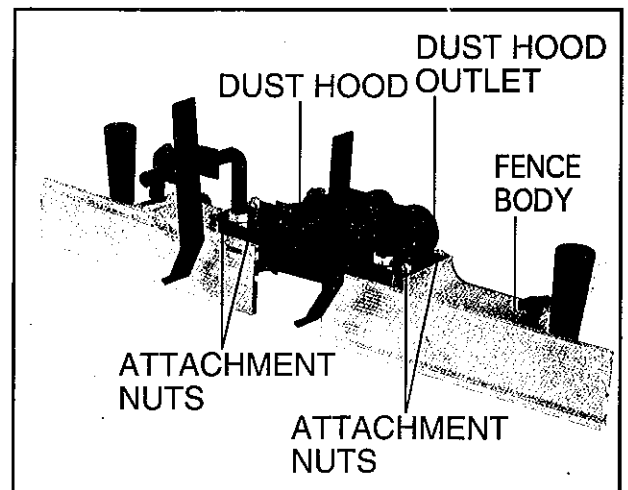
1. As the table is heavy, it is suggested that two people lift the table during installation.
2. Affix the two pad onto the side of the stand. These two pad are used to support the table.
3. Align the two holes at the bottom of the table (away from the spindle hole) with the two holes drilled on the top of the stand.
4. Tighten the table securely using two "M8" screws.
5. Attach the Damper to the table and stand.



SUPPORT LEVER BOTTOM COLLAR

## INSTALLING DUST HOOD

1. The dust hood is mounted on the fence body.
2. Tighten the dust collection hood by using four M12 nuts.
3. Use a flexible hose to connect the dust hood to the dust collector.
4. The outlet of the dust hood is 2.5" in diameter.

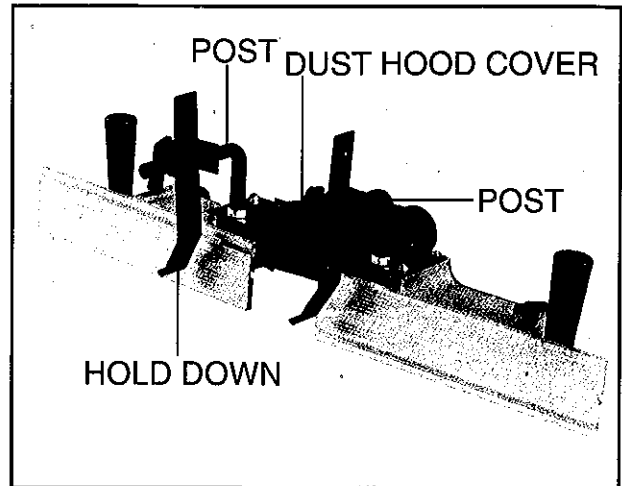


### **WARNING**

Do not operate the machine until the dust collector is running.

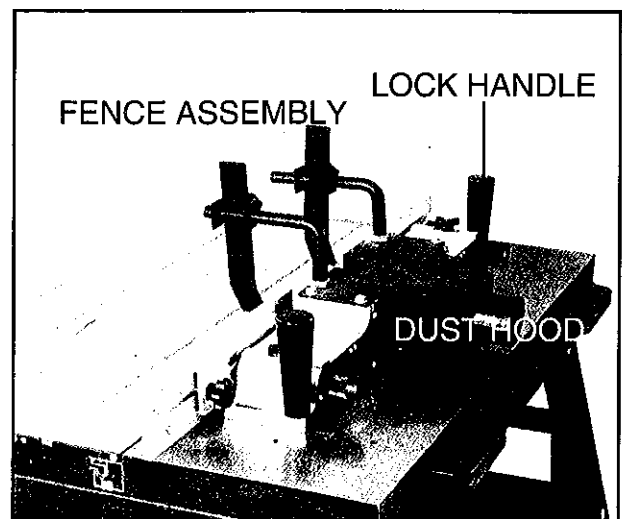
## INSTALL HOLD-DOWNS

1. Insert the post of the hold-downs into the holes on the dust hood cover.
2. Use an open ended wrench to tighten.



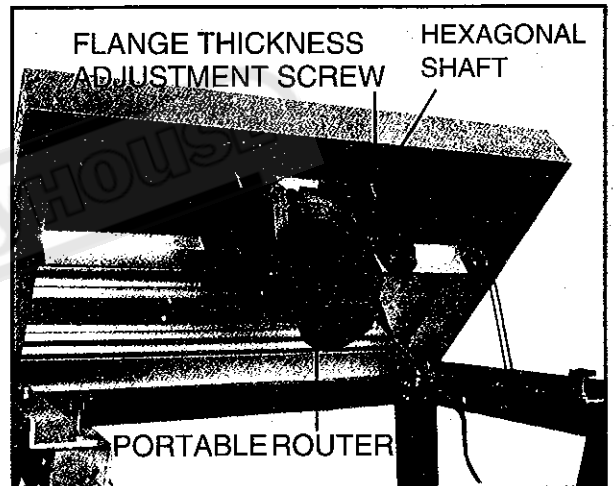
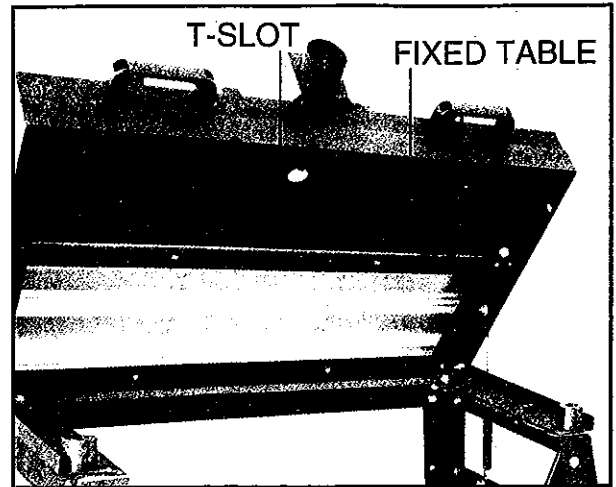
## INSTALLING THE FENCE

1. After the dust hood has been mounted on the fence, then mount the fence onto the table.
2. Lock the fence assembly onto the table by tightening the two lock handles.



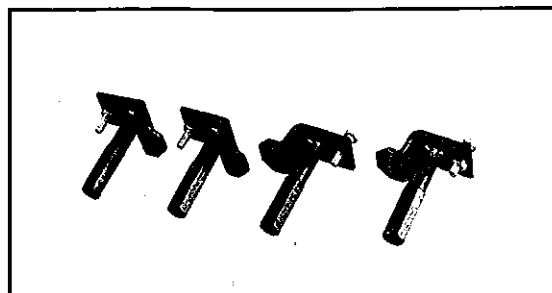
## INSTALL THE ROUTER ONTO THE STAND

1. Have another person help you when installing the router.
2. Tilt the table to 45° to install the portable router. Lock the table in the tilted position by moving the table tilt lock levers into the lock position.
3. Insert the 4 screws of the clamping plate sets into the T-slots on the underside of the table.
4. Fit the router spindle through the hole on the table.
5. Adjust the flange thickness adjustment screw so that the clamping plates fit on the flange of the portable router.
6. Tighten the clamping plates to the portable router by using an open ended wrench to turn the hexagonal shaft.



## CLAMPING PLATE SET

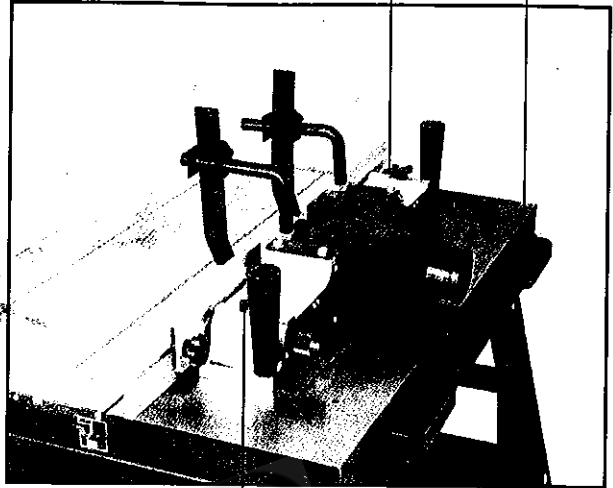
(FLANGE THICKNESS ADJUSTMENT SCREW AND HEXAGONAL SHAFT)



## FENCE OPERATION

1. The fence assembly is locked on the table by the two lock handles.
2. To move the right fence half forward and backward to adjust the depth of cut, turn the depth adjustment knob.
3. Loosen the wing/screw before turning adjustment knob. Tighten it securely after adjustment.
4. To adjust the opening between the right and left fence halves, loosen the opening adjustment knob, then move the fence halves to the proper position according to router bit size.

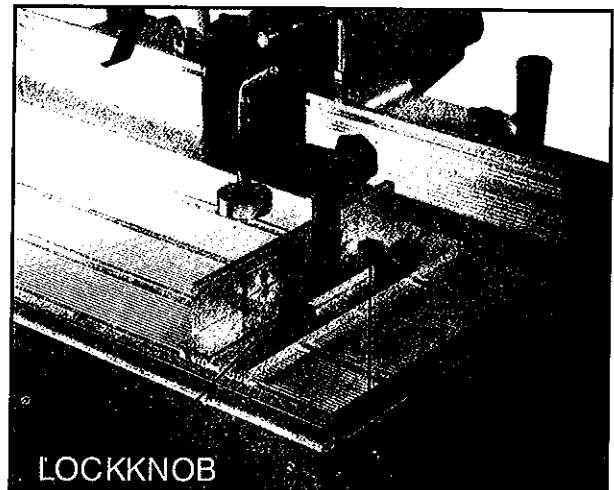
DEPTH ADJUSTMENT KNOB  
OPENING ADJUSTMENT KNOB



WING KNOB

## SLIDING TABLE

1. Use the toggle clamp to fix the workpiece to the sliding table.
2. The push plate position can be set by loosening the push plate lock knobs, adjusting the position, then retightening the knobs.
3. The sliding table can be made immobile by setting the lock tabs on the ends of the sliding table.

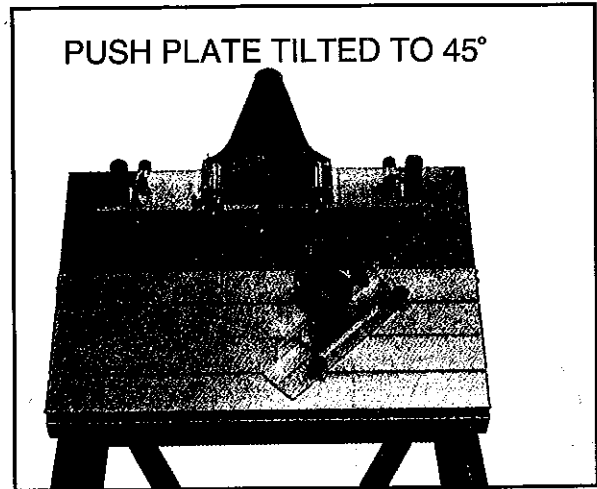


LOCKKNOB

CROSS ADJUSTMENT KNOB

## TILTING THE PUSH PLATE TO 45°

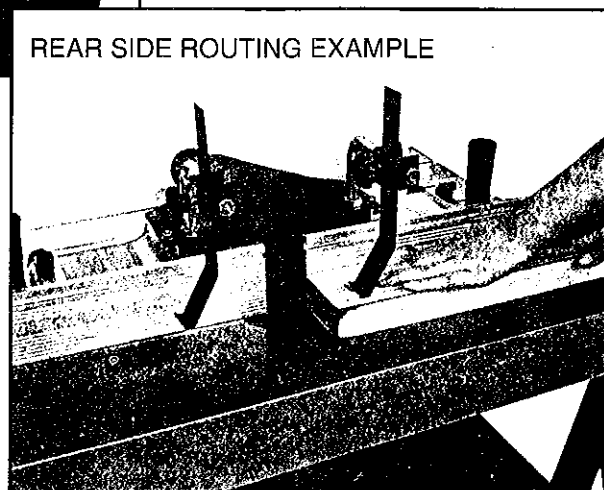
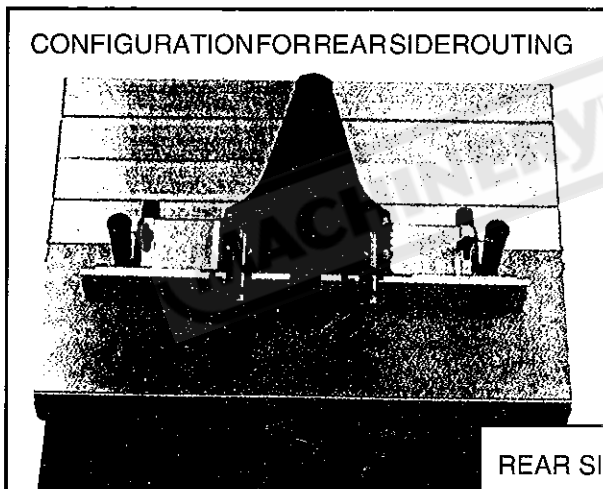
1. Loosen and take out the inside lock knob on the push plate.
2. Tilt the push plate until the predrilled hole on the push plate is aligned with the middle T-slot on the sliding table.
3. Replace the inside lock knob to lock the push plate at a 45° angle. The push plate is now angled for bevelled routing.



MACHINERYHOUSE

## REAR TABLE ROUTING

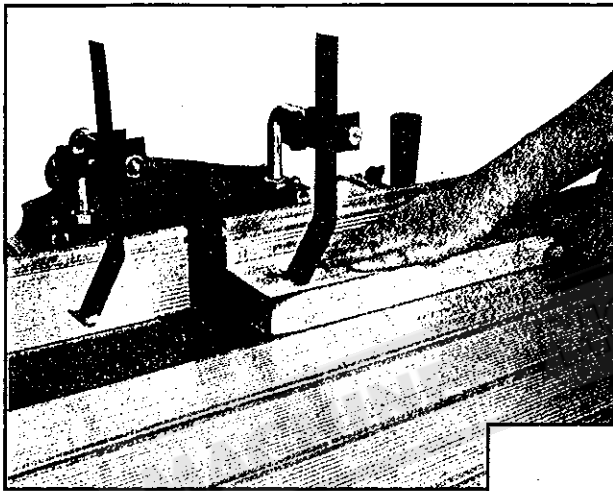
1. When working on small workpieces, the sliding table may be unnecessary. The fence assembly can be turned around and refixed to two holes closer to the sliding table.
2. Loosen and remove the two fence lock handles.
3. Turn the fence assembly around, and align the slots on the fence body with the holes closer to the sliding table.
4. Insert and tighten the fence lock handles securely. The rear side of the router table can now be used for small workpieces, eliminating the need to bend over the sliding table.



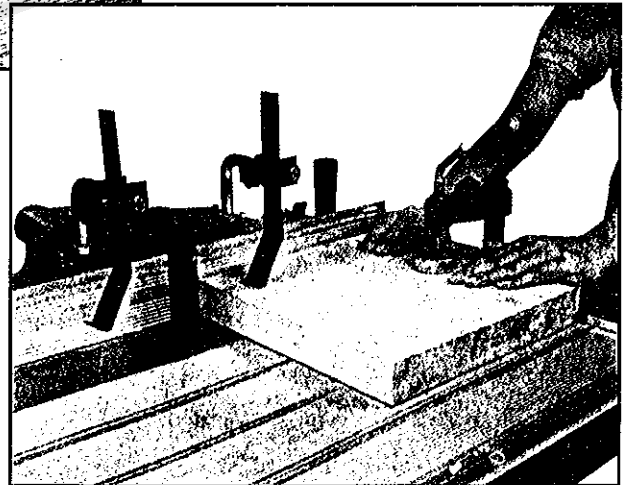


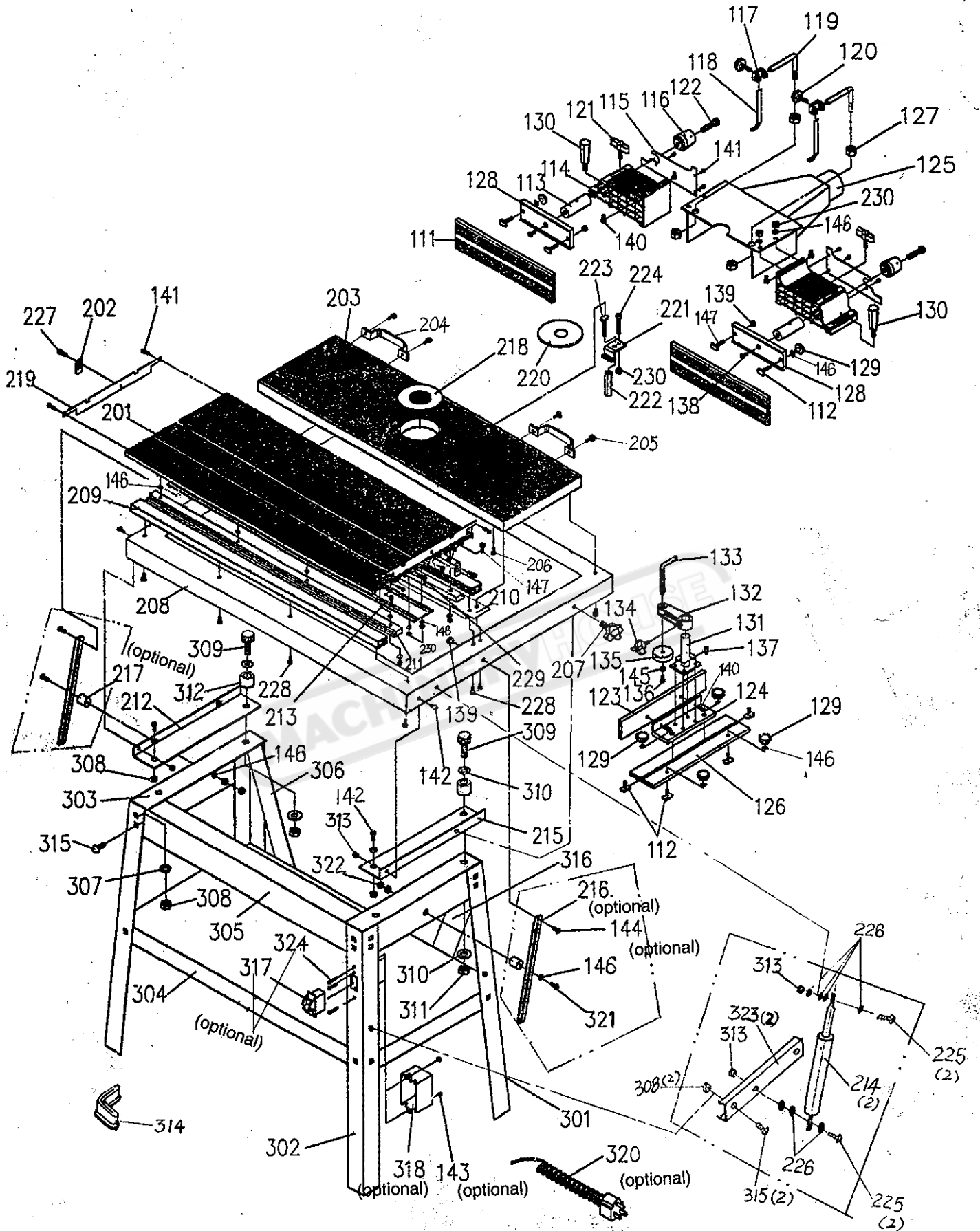
## ROUTING OPERATIONS

1. Below are examples of correct routing using the router stand.
2. Always feed the workpiece against the rotation of the router cutting bit.
3. Use the push plate whenever possible.



Examples of routing two different kinds of workpiece. Note the correct use of push plate, toggle clamp and hold-downs.





# PARTS LIST

Part No.	Description	Qty
111	Fence half	2
112	Sliding screw m6×20	6
113	Micrometric adjustment rod	2
114	Fence body	2
115	Fence body guard	2
116	Micrometric adjustment rod	2
117	Hold-down holder	2
118	Hold-down	2
119	Lbar	2
120	Knob m8×16	2
121	Wing screw m10×20	2
122	Hexagonal socket head screw m10×45	2
123	Fence plate	1
124	Clamp holder	1
125	Dust hood	1
126	Short fence	1
127	Nut m12	4
128	Clamp plate	2
129	Knob nut m6	6
130	Heavy handle	2
131	Clamp bracket	1
132	Bracket	1
133	Clamp rod	1
134	Knob m6×20	1
135	Clamp plate	1
136	Round cross head screw m5×10	1
137	Hexagonal socket head screw m6×12	4
138	Hexagonal screw m10×16	2
139	Anti-loose nut m6	4
140	Hexagonal screw m6×12	6
141	Round cross head screw m5×12	26
142	Hexagonal screw m8×25	4
143	Nut m5	8
144	Hexagonal screw m6×20	2
145	Washer5	1
146	Washer6	50
147	Hexagonal screw m6×25	10
201	Sliding table	1
202	Upper plate	2
203	Fixed table	1
204	Arched handle	2
205	Hexagonal socket head screw m6×20	4
206	Hexagonal screw m8×20	4
207	Knob screw m8×30	2
208	Frame	1
209	Slide way	2
210	Middle bracket	1

Part No.	Description	Qty
211	Slide rail	2
212	Table right support	1
213	Fix piece	2
214	Damper	2
215	Table left support	1
216	45° positioning piece (optional)	2
217	Positioning piece (optional)	2
218	60mm insert plate	1
219	Guard	2
220	29mm Insert plate	1
221	Motor clamp piece	4
222	Hexagonal clamp shaft	4
223	Sliding screw m6×50	4
224	Hexagonal screw m6×25	4
225	Hexagonal screw m8×30	4
226	Thick washer8	16
227	Hexagonal screw m6×12	2
228	Round cross head screw m5×10	8
229	Hexagonal screw m6×12	16
230	Nut m6	32
301	Floor stand	3
302	Front stand (fitted with switch)	1
303	Upper angle plate	2
304	Middle plate	1
305	Front upper angle plate	1
306	Right bracket	1
307	Washer 8	28
308	Nut m8	30
309	Hexagonal socket head screw m8×40	2
310	Washer8	4
311	Nut m8	2
312	Pad	2
313	Anti-loose nut m8	6
314	Rubber leg	4
315	Screw m8×12	28
316	Left bracket	1
317	Switch (optional)	1
318	Switch box (optional)	1
320	Power wire (optional)	1
321	Round cross head screw m6×40	2
322	Nut m6	4
323	Damper support	2
324	Round cross head screw m5×40	2